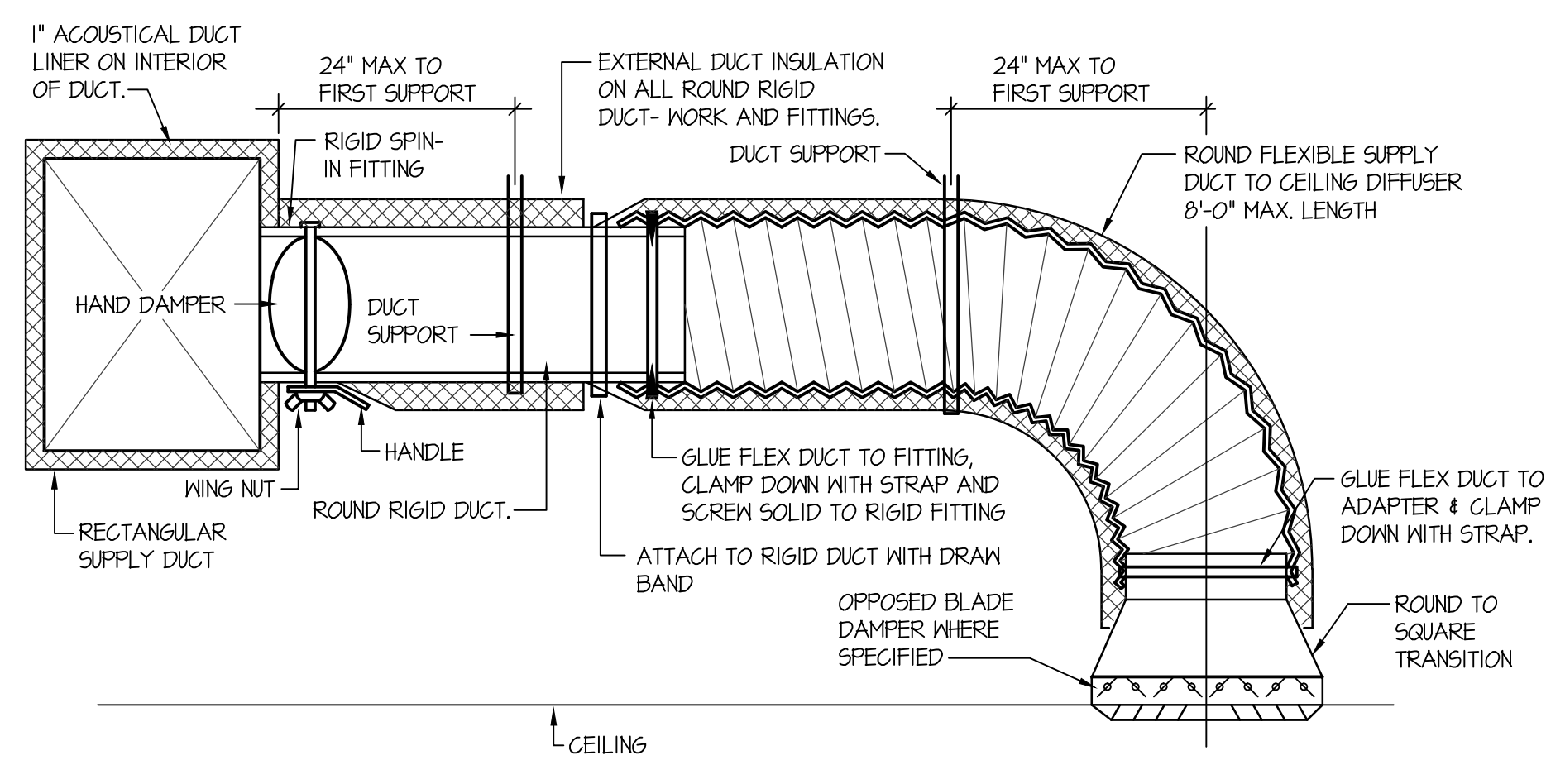


**CEILING DIFFUSER DETAIL WITH FLEXIBLE DUCT**  
NO SCALE



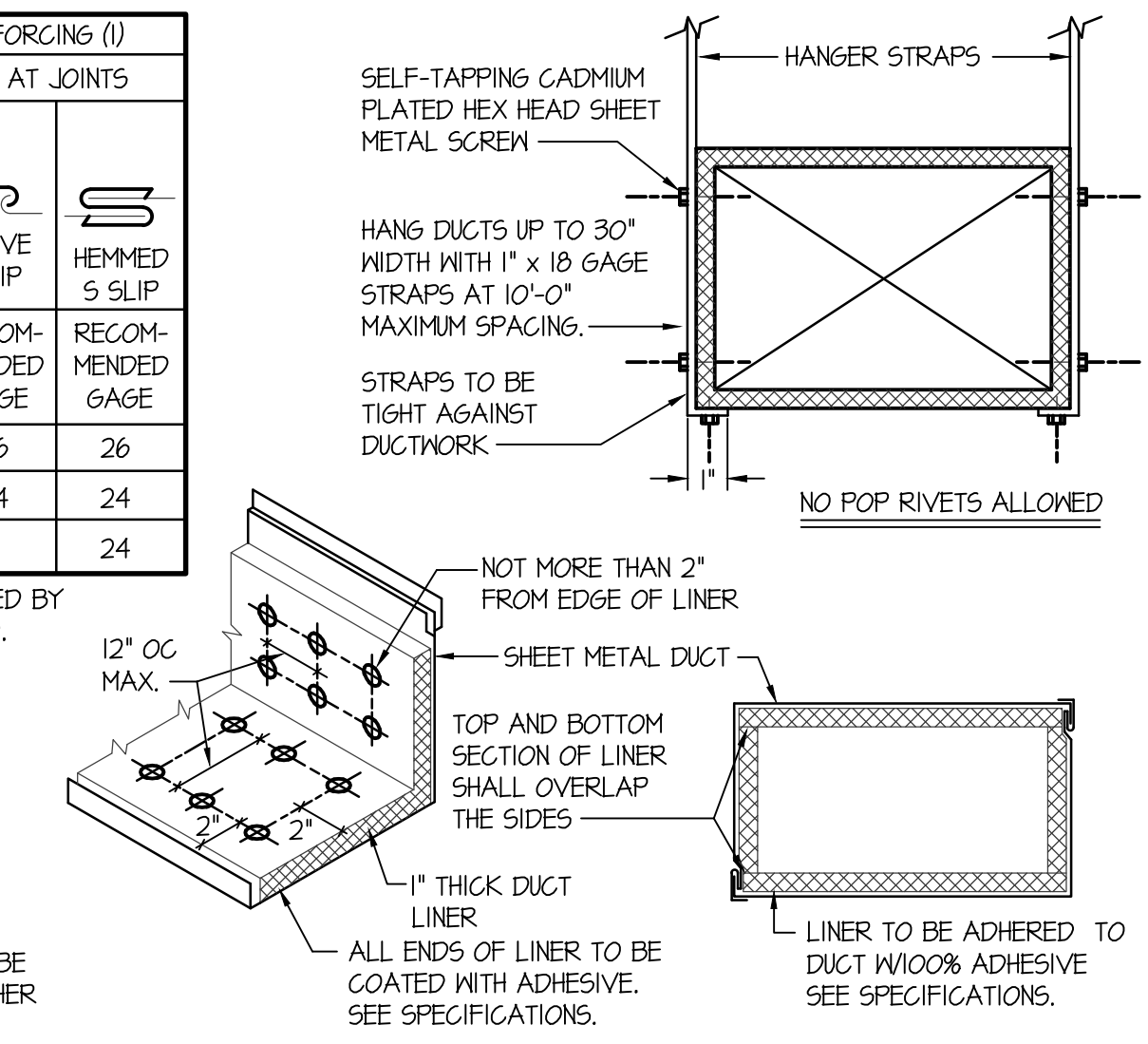
**CEILING DIFFUSER DETAIL WITH FLEXIBLE DUCT**  
NO SCALE

DIMENSION OF LONGEST SIDE, INCHES	SHEET METAL GAGE (ALL FOUR SIDES)	TRANSVERSE REINFORCING (1)	
		MINIMUM REINFORCING ANGLE SIZE AND MAXIMUM LONGITUDINAL SPACING BETWEEN TRANSVERSE JOINTS #/OR INTERMEDIATE REINFORCING	AT JOINTS
UP THRU 12	26	NONE REQUIRED	26 26
13 - 18	24	NONE REQUIRED	24 24
19 - 30	24	1"x1/8" @ 60 IN	- 24

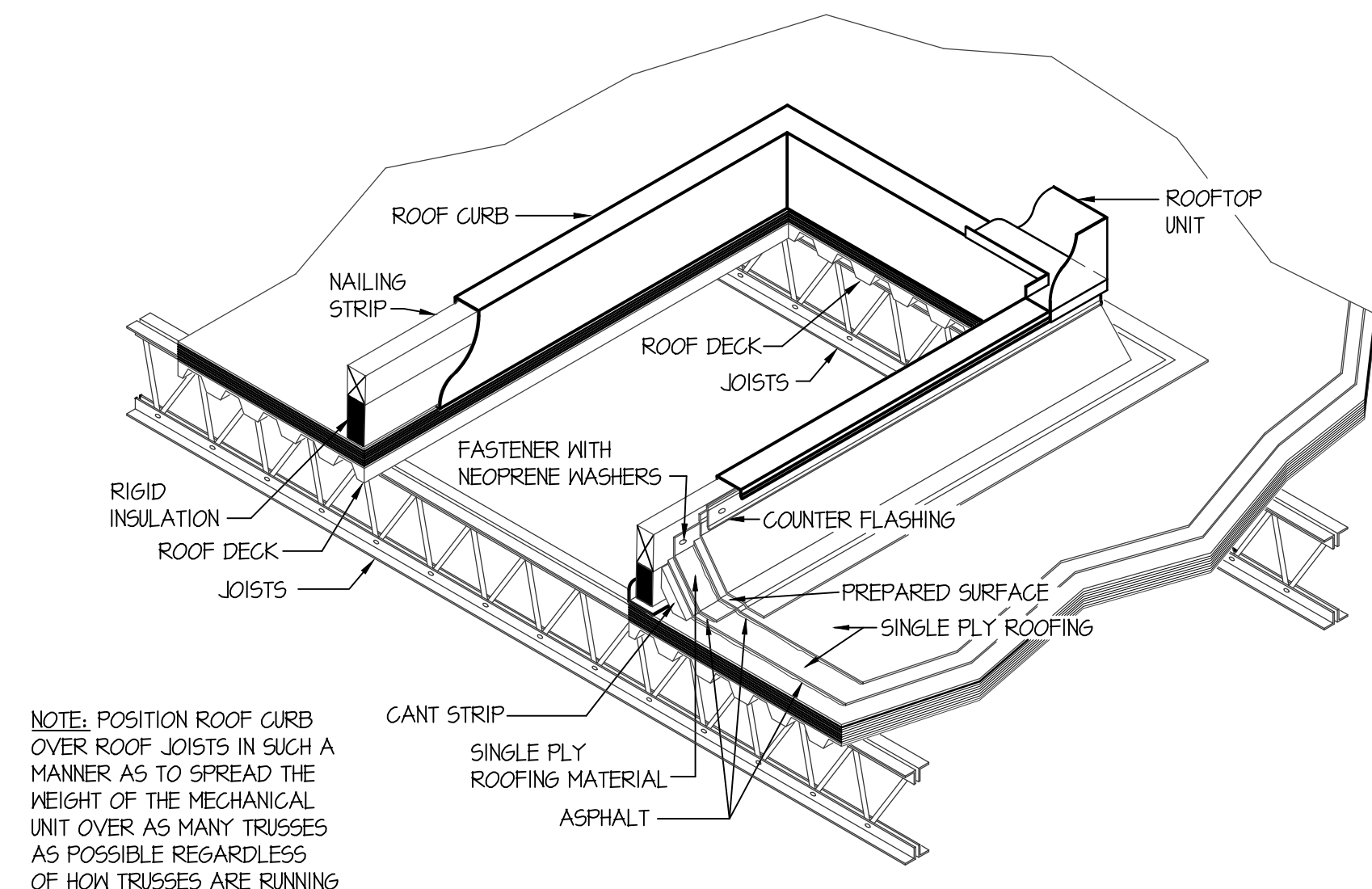
(1) TRANSVERSE REINFORCING SIZE IS DETERMINED BY DIMENSION OF SIDE TO WHICH ANGLE IS APPLIED.

METAL FASTENERS - O MARK INSULPING, DURO DYNE FASTENERS OR GRIPNAILS.

GRIP NAILS SHALL BE INSTALLED BY GRIPNAIL AIR HAMMER OR BY AUTOMATIC FASTENER EQUIP.

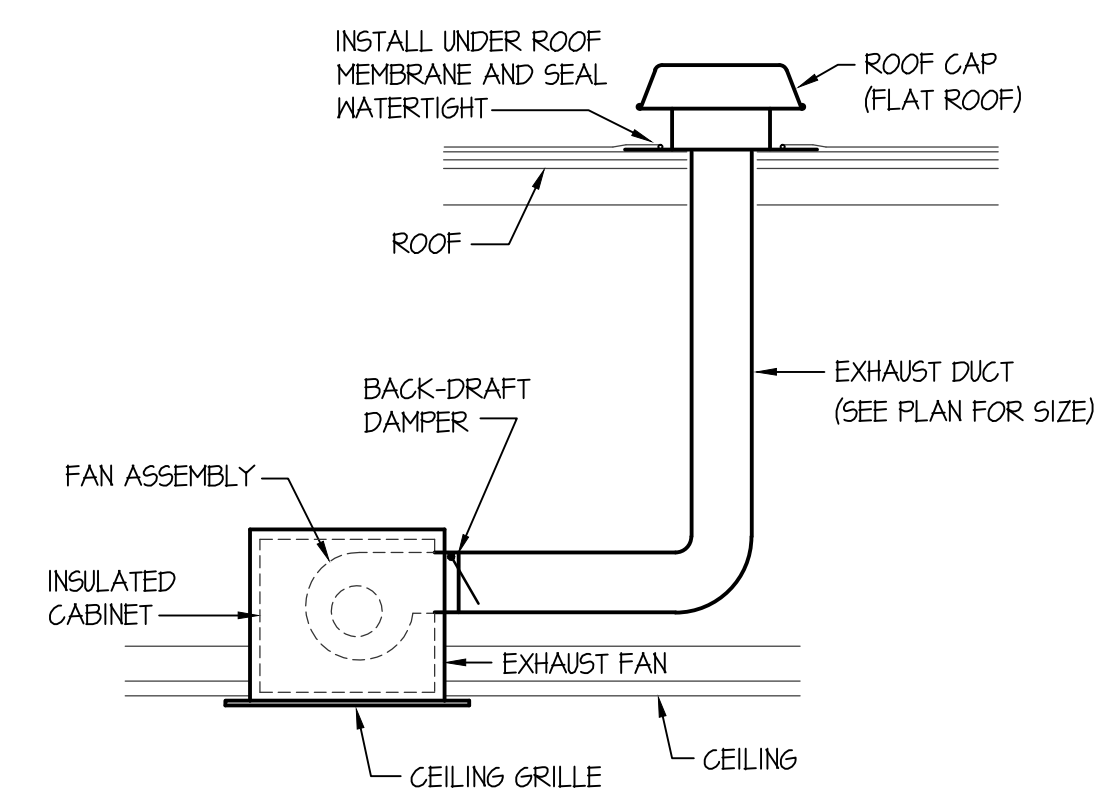


**DUCT CONSTRUCTION AND HANGER DETAIL**  
NO SCALE

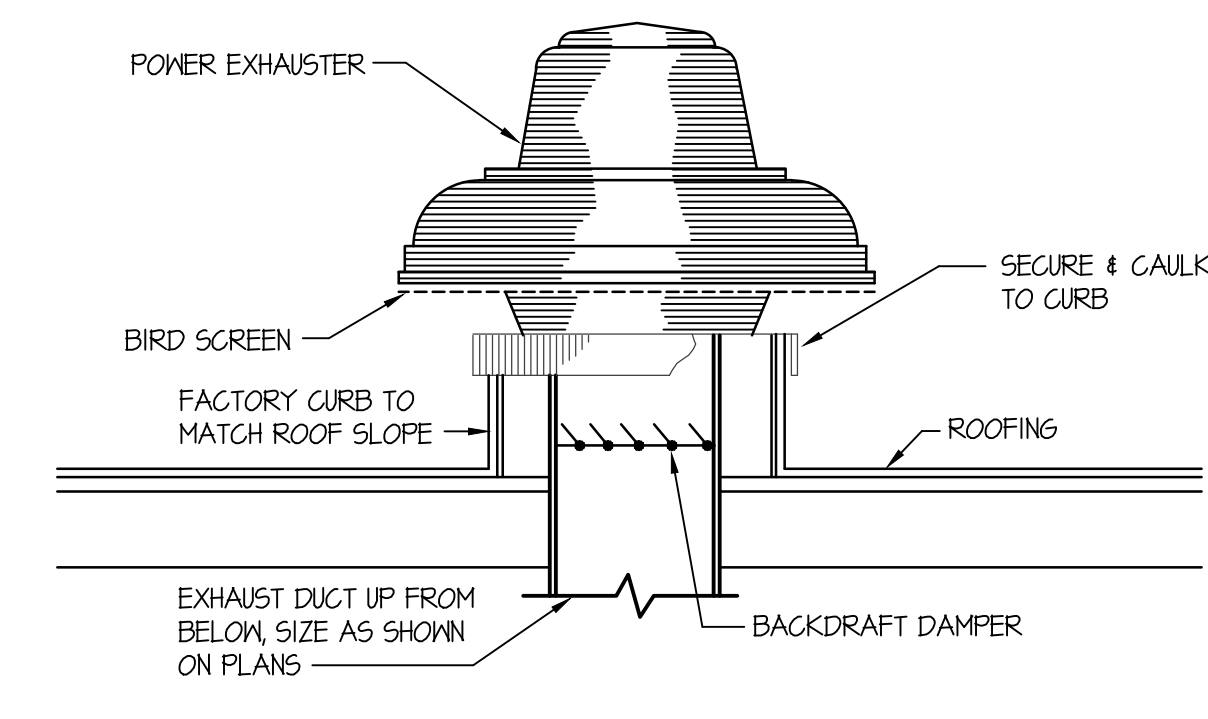


NOTE: POSITION ROOF CURB OVER ROOF JOISTS IN SUCH A MANNER AS TO SPREAD THE HEIGHT OF THE MECHANICAL UNIT OVER AS MANY TRUSSES AS POSSIBLE REGARDLESS OF HOW TRUSSES ARE RUNNING

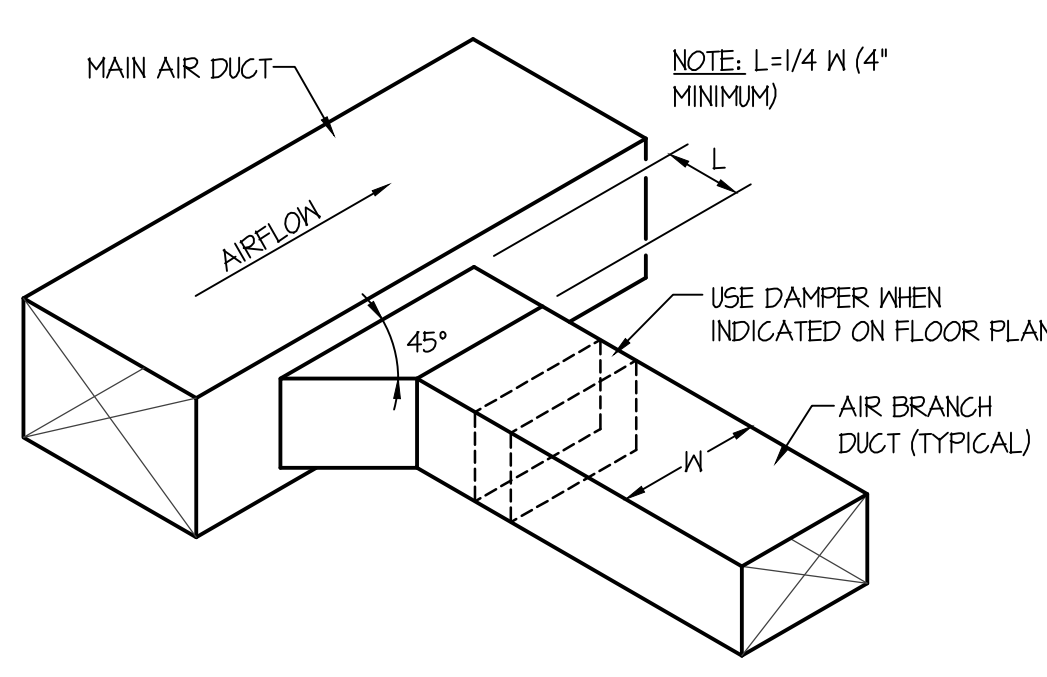
**TYPICAL ROOFTOP MOUNTING DETAIL**  
NO SCALE



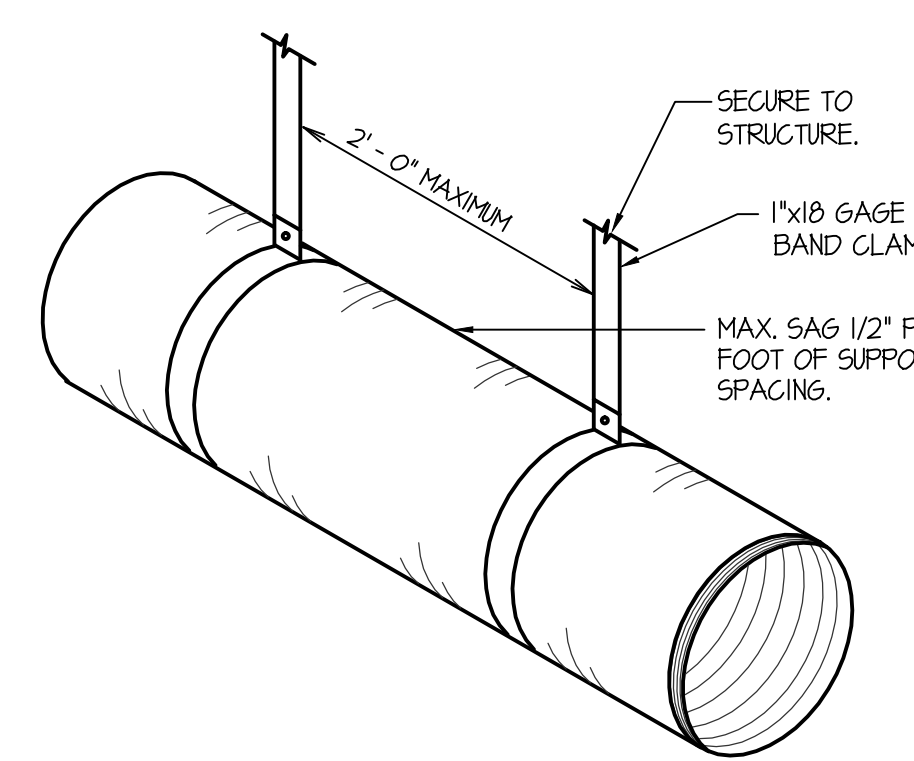
**CEILING MOUNTED EXHAUST FAN DETAIL**  
NO SCALE



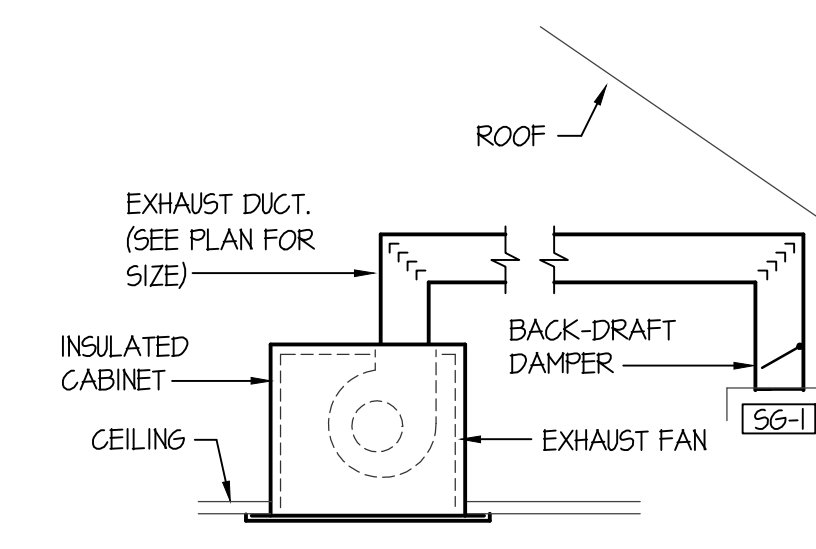
**ROOF TOP EXHAUST FAN DETAIL**  
NO SCALE



**RECTANGULAR DUCT CONNECTION DETAIL**  
NO SCALE



**FLEXIBLE DUCT SUPPORT DETAIL**  
NO SCALE



**EXHAUST FAN DETAIL**  
NO SCALE

CONTRACTOR SHALL VERIFY ALL DIMENSIONS & CONDITIONS SHOWN OR IMPLIED

DRAWING SCALE APPLIES TO 22" X 34" SHEET SIZE

REVISION	DATE

DRAWN BY: SR	JOB NUMBER: 46548-13B
CHECKED BY: DCS	PROJECT DATE: JAN, 2014
	SHEET OF

ORIGINAL DRAWING SIGNED BY: DMAYNE C. SUDWEEKS  
DATE ORIGINAL SIGNED: JAN, 9TH, 2014  
ORIGINAL ON FILE AT ENGINEERED SYSTEMS ASSOCIATES  
1355 EAST CENTER, POCATELLO, IDAHO 83201

**Engineered Systems Associates**  
1355 EAST CENTER  
POCATELLO, IDAHO 83201  
PHONE: (208) 233-0501  
FAX: (208) 233-0529  
EMAIL: esa@engsystems.com  
ESA JOB NUMBER: 18026

**Professional Engineer Registered**  
5762  
STATE OF IDAHO  
DMAYNE C. SUDWEEKS